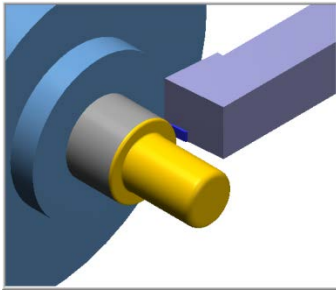
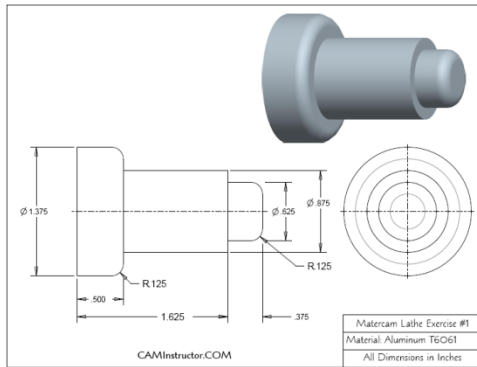


Contents at a Glance

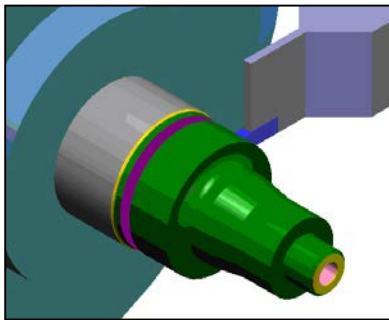
Setting the Environment 1
Lesson 1 7



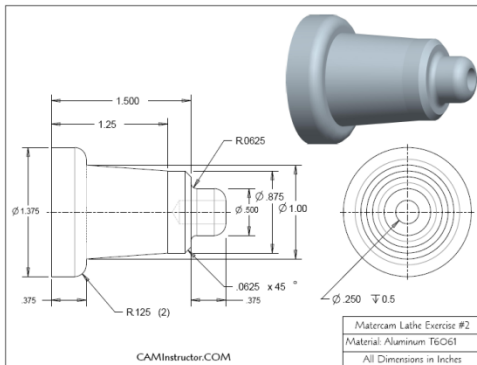
Exercise 1 47



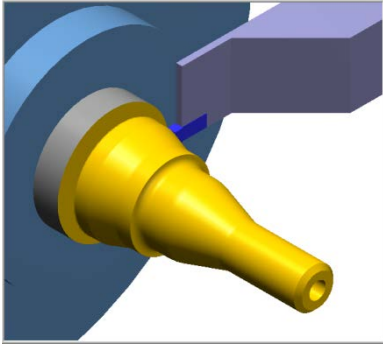
Lesson 2 49



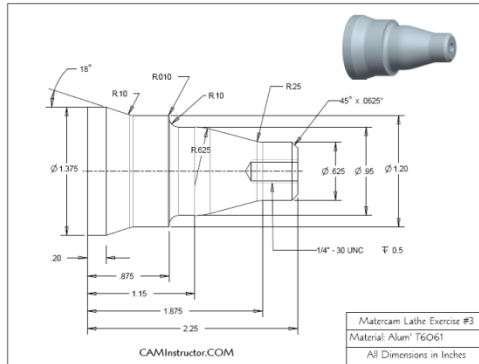
Exercise 2 91



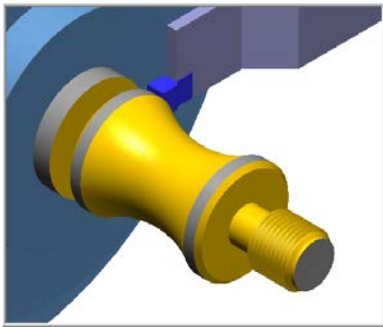
Lesson 3 93



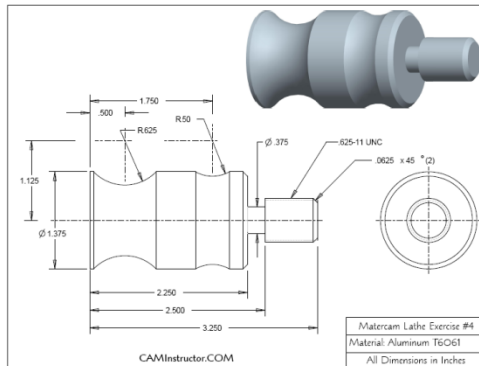
Exercise 3 138



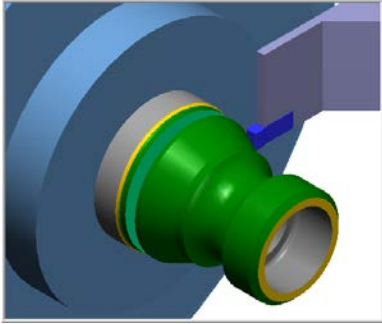
Lesson 4 139



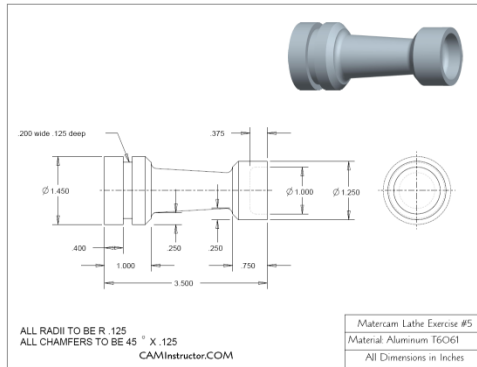
Exercise 4 188



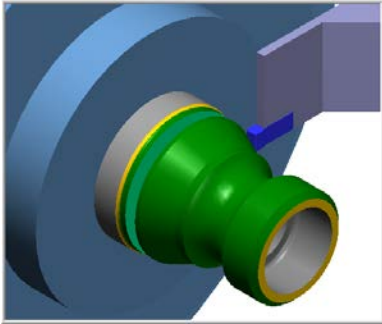
Lesson 5 CAD/CAM 189



Exercise 5..... 240

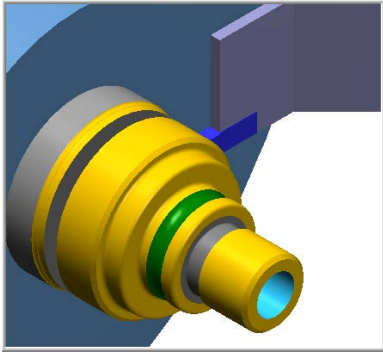


Lesson 5B – Import a CAD Solid Part File 241

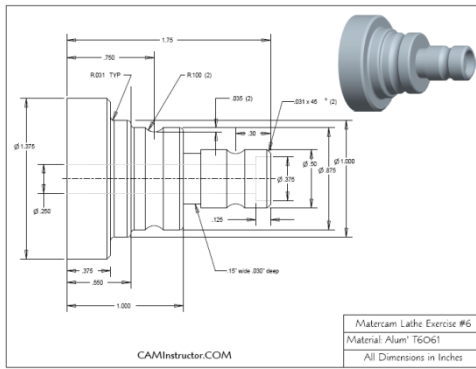


Lathe

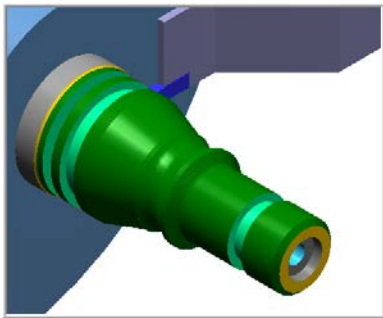
Lesson 6 243



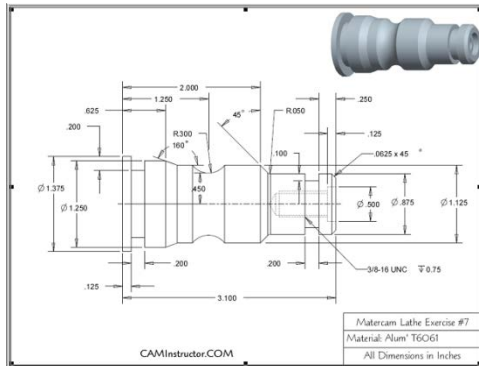
Exercise 6..... 295



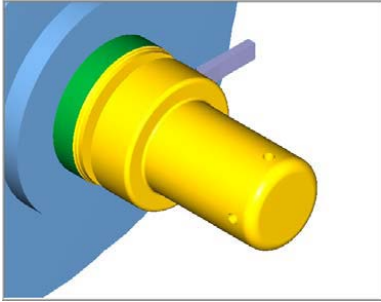
Lesson 7 297



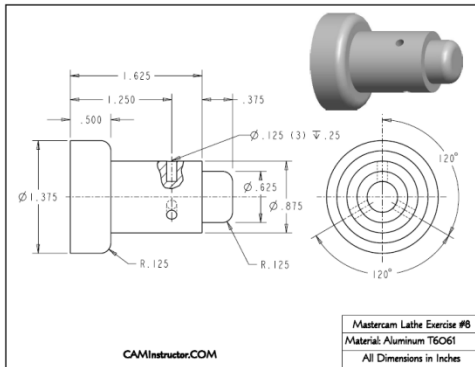
Exercise 7..... 355



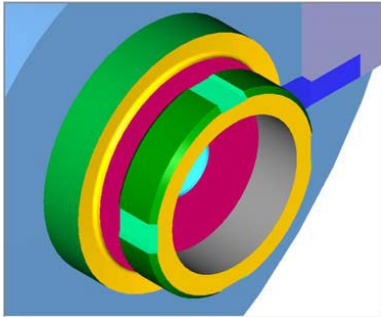
Lesson 8 357



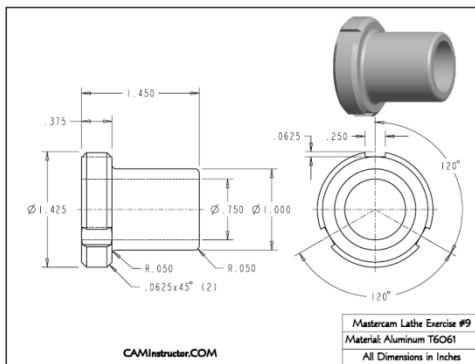
Exercise 8 On the CD

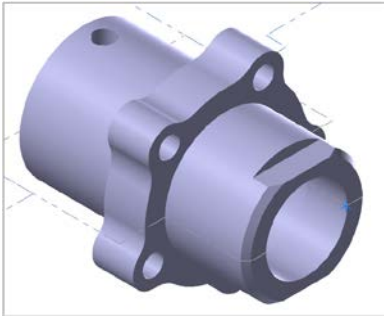


Lesson 9 381



Exercise 9 On the CD





Provided by CamInstructor Inc.
www.caminstructor.com
sales@caminstructor.com
1-877-873-6867

All rights reserved
