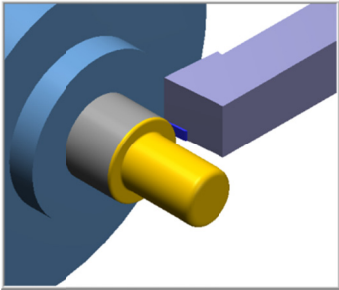


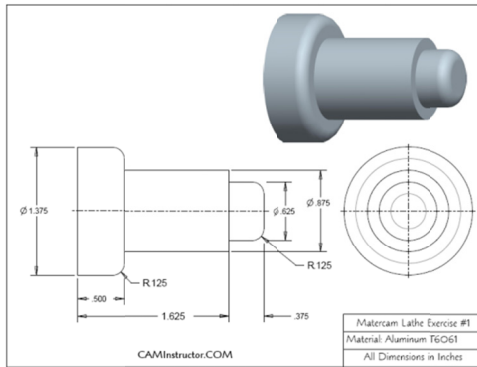
Contents at a Glance

Setting the Environment1

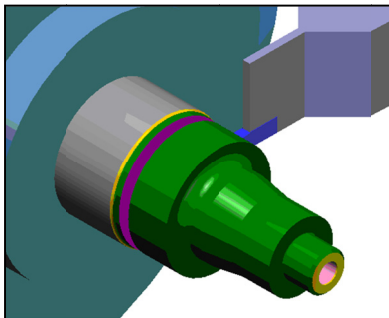
Lesson 15



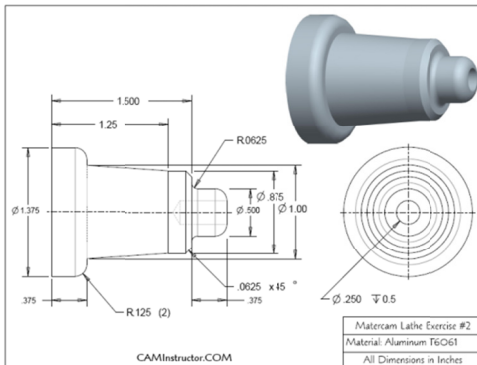
Exercise 142



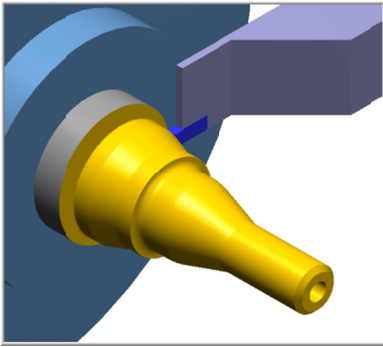
Lesson 243



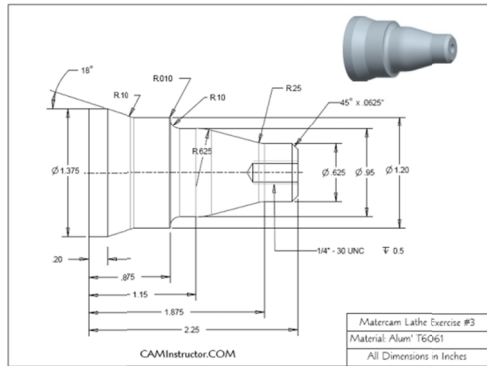
Exercise 283



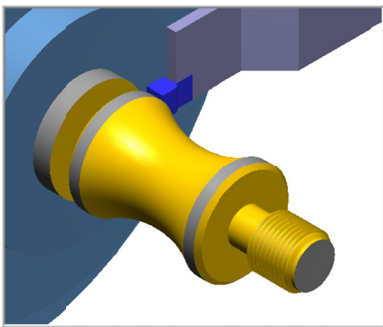
Lesson 385



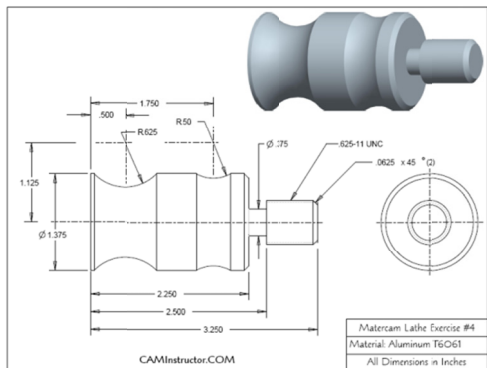
Exercise 3.....128



Lesson 4129

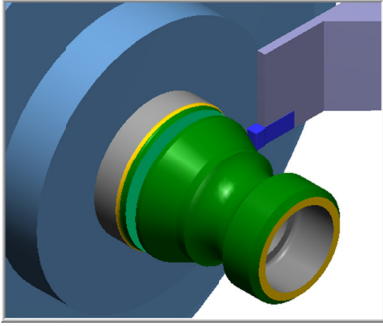


Exercise 4.....175

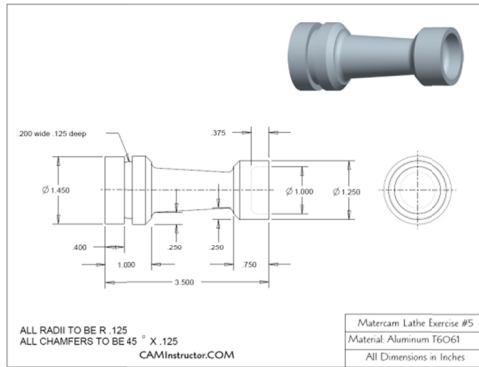


Mastercam Training Guide

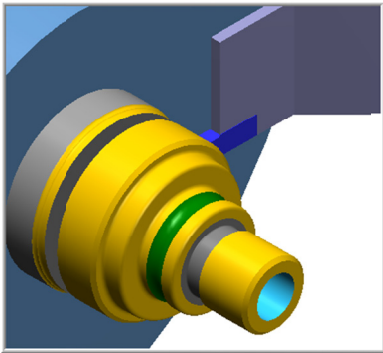
Lesson 5177



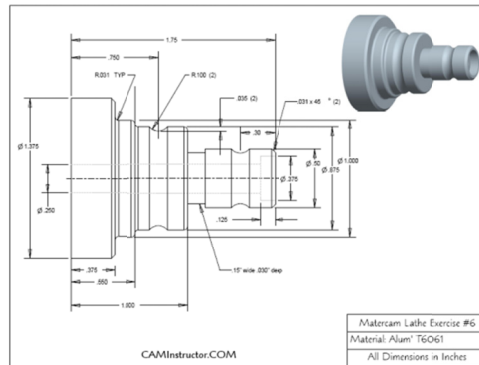
Exercise 5.....225



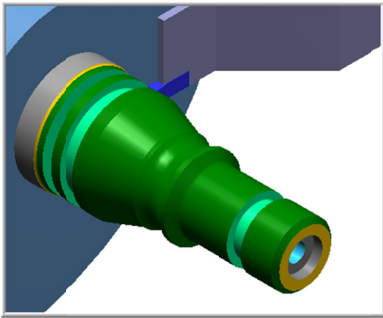
Lesson 6227



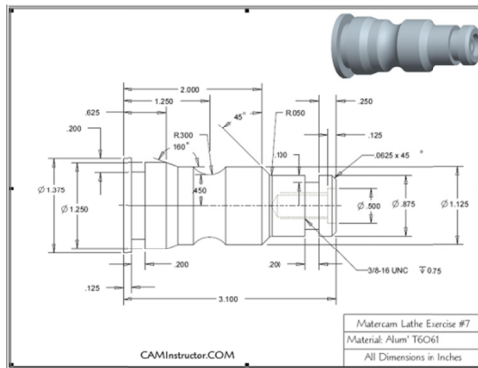
Exercise 6.....276



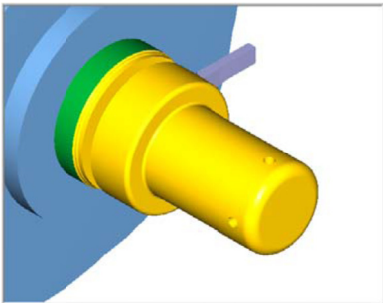
Lesson 7277



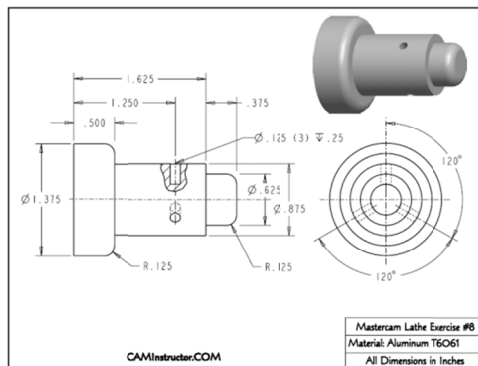
Exercise 7.....332



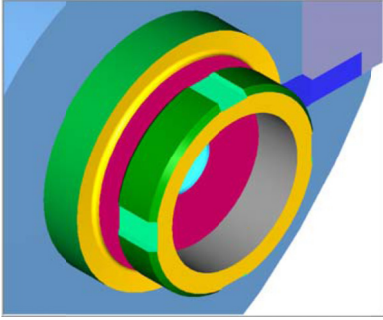
Lesson 8333



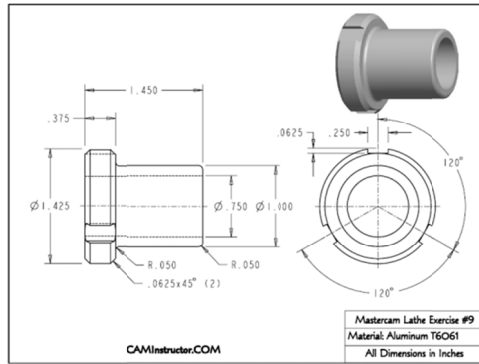
Exercise 8.....On the CD



Lesson 9335



Exercise 9.....On the CD



What's on the CD/DVD?



Getting Started-Video

- An overview of how the CD/DVD works

Setting the Mastercam Environment Tips and Techniques-Videos

- Getting Help – 6 Minutes
- Lathe Diameter & Radius – 7 Minutes
- Creating Lines – 12 Minutes
- Creating Arcs and Circles – 12 Minutes
- Trim and Extend – 5 Minutes
- Xform – 9 Minutes
- Stock Setup – 8 Minutes
- Backplot and Verify – 5 Minutes



Lesson-1 through Lesson-9 Videos

Video instructions on how to complete each Lesson from start to finish.

Mastercam-Files

- Mastercam files required by certain Lessons in the book

Mastercam Demo Installation Software

Install it onto your computer so you can practice and work in Mastercam. **Please note;** Mastercam Demo Software is a full working copy of Mastercam, however it will NOT allow you to create NC code.

Installation Instructions for Mastercam Demo Software

1. Insert the CD/DVD into the CD/DVD ROM of your computer
 2. The Training Videos menu may automatically open, you can close this
 3. Open (double click) the My Computer icon on your desktop
 4. Open (double click) the CD/DVD ROM
 5. Open (double click) the Mastercam X5 Demo Software Installation folder
 6. Double click on Setup.exe
 7. Follow the installation wizard for Mastercam Demo Software Installation
-